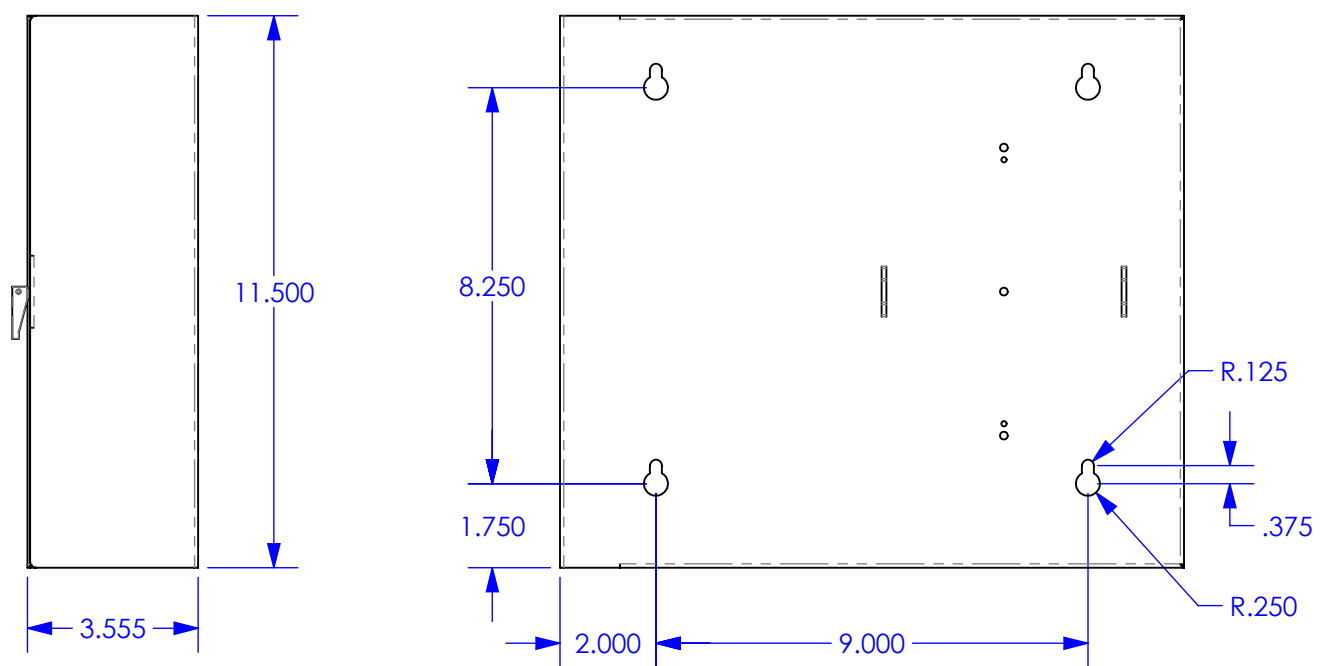
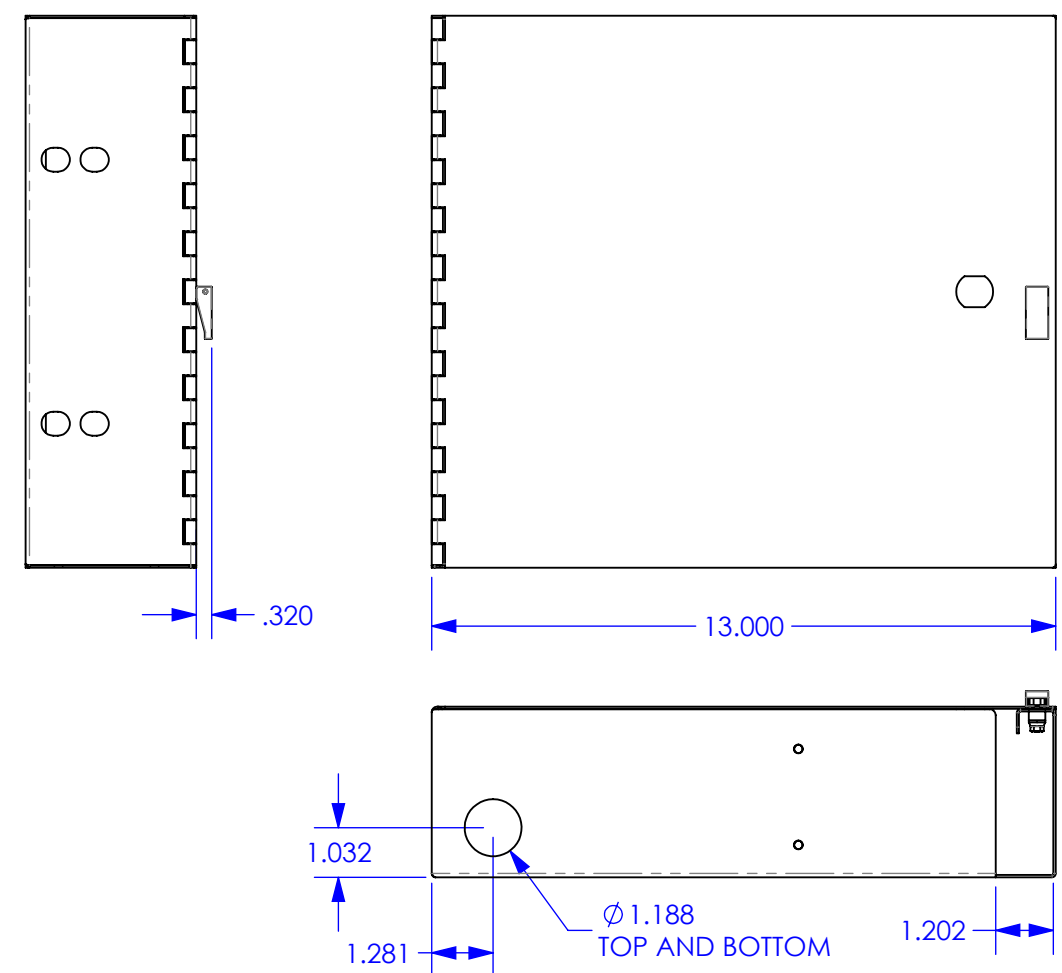
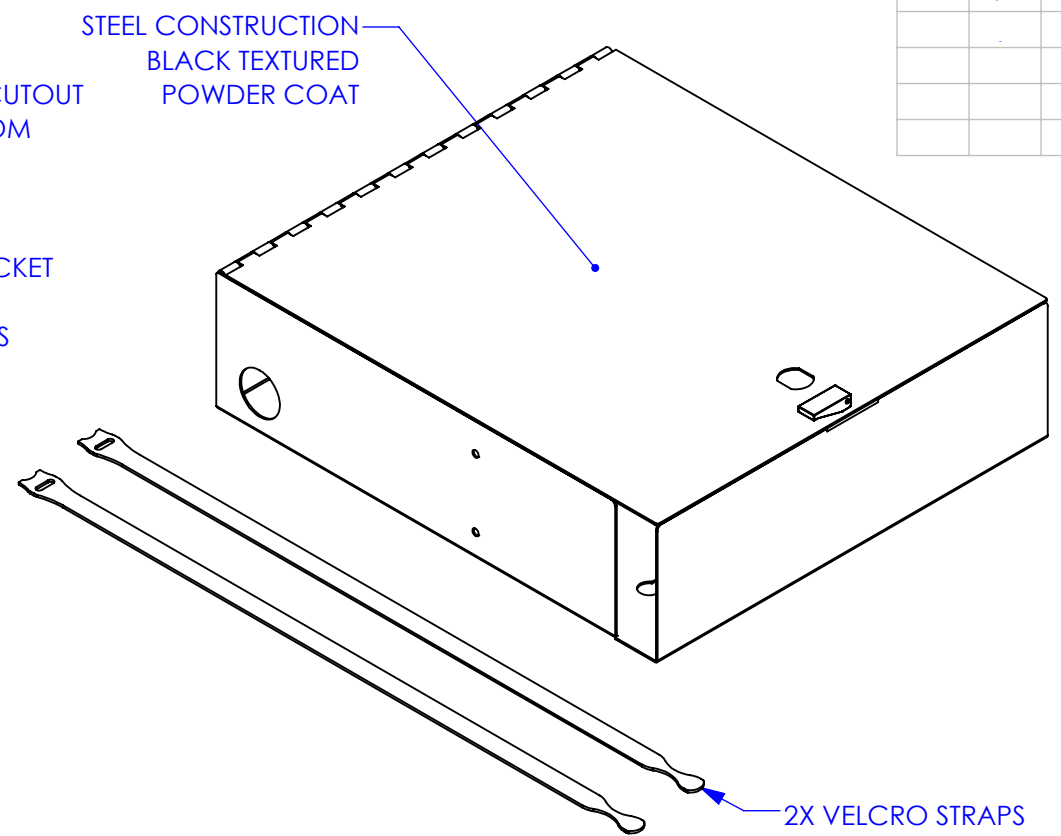
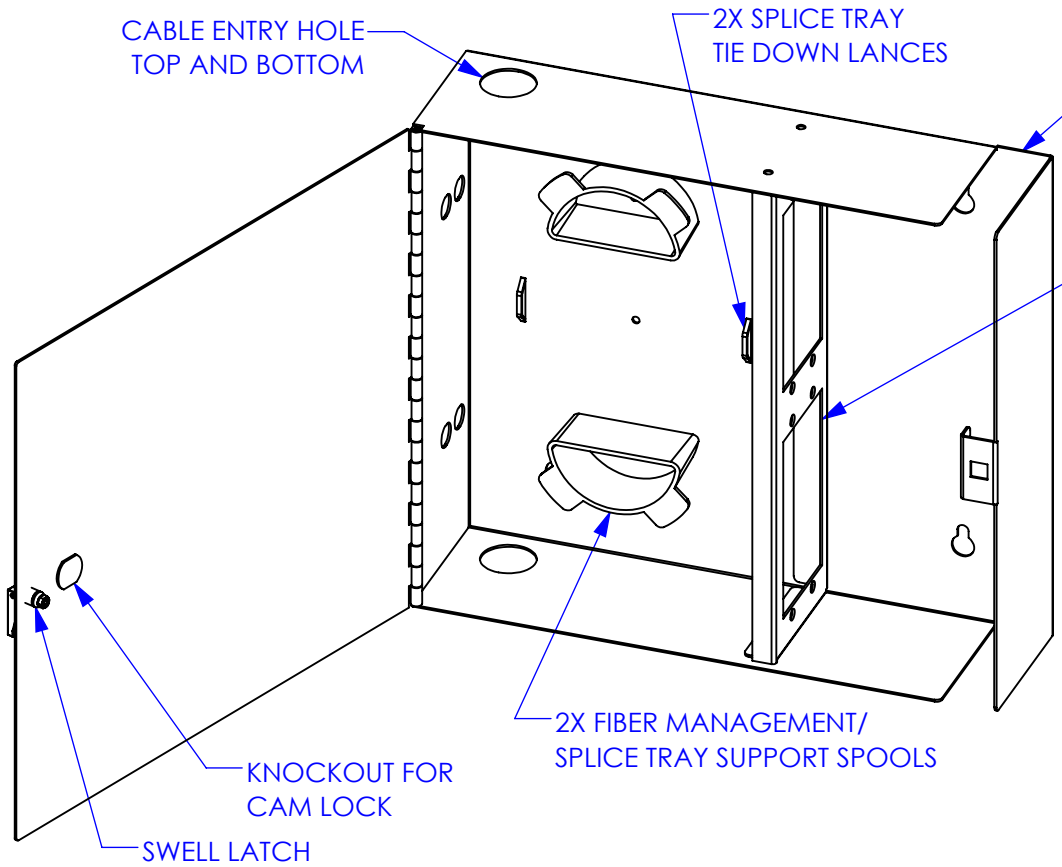


REV.	ECN #	DESCRIPTION OF CHANGE	DATE	BY	MFG ENG



UNLESS OTHERWISE SPECIFIED DIMENSIONS ARE IN INCHES TOLERANCES ARE:

FRACTIONS: DECIMALS: ANGLES:

± 1/32 .XX ± .03 ± 1°

.XXX ± .010

ALL FLATS TO BE ± .005

NO SHARP EDGES OR BURRS ALLOWED

MATERIAL: SEE B.O.M.

FINISH: BLACK TEXTURED

DO NOT SCALE DRAWING

CHECKED:	DATE:
MFG ENG:	DATE:
QUALITY ENG:	DATE:

INFRAINK
NETWORKS CANADA

24PWMFP

SCALE: 1:4 CAD FILE: 1 OF 1