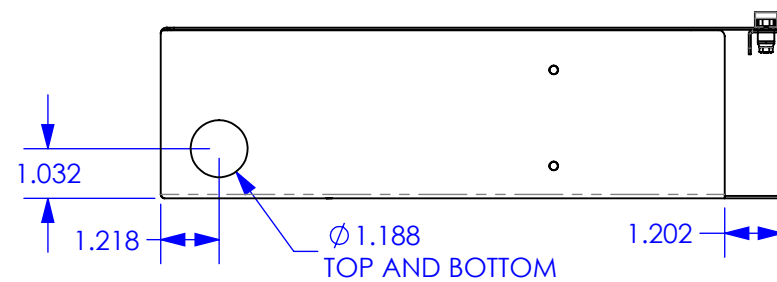
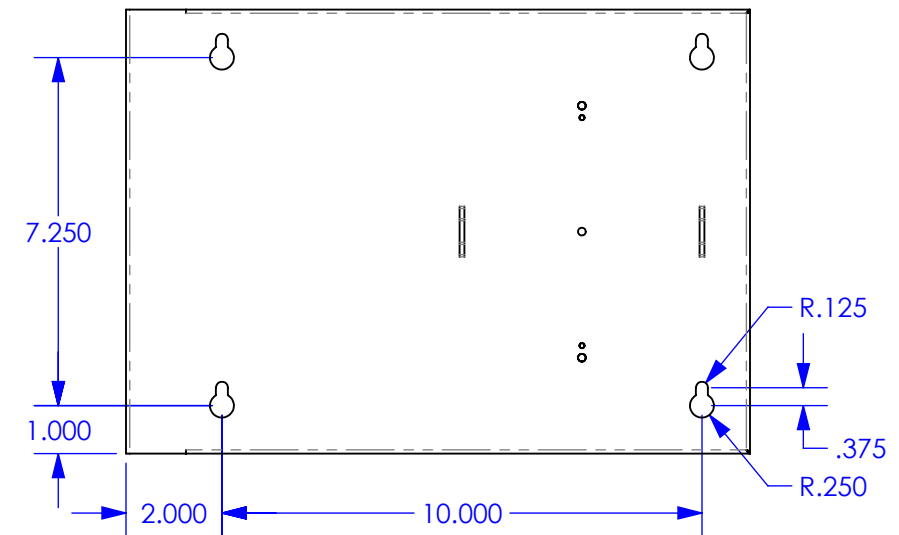
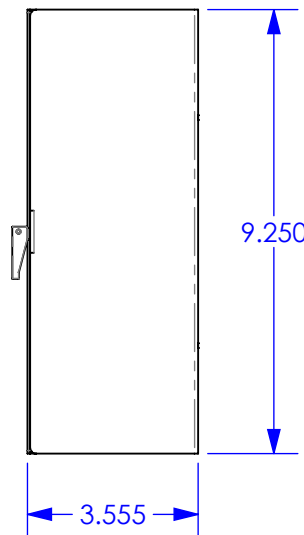
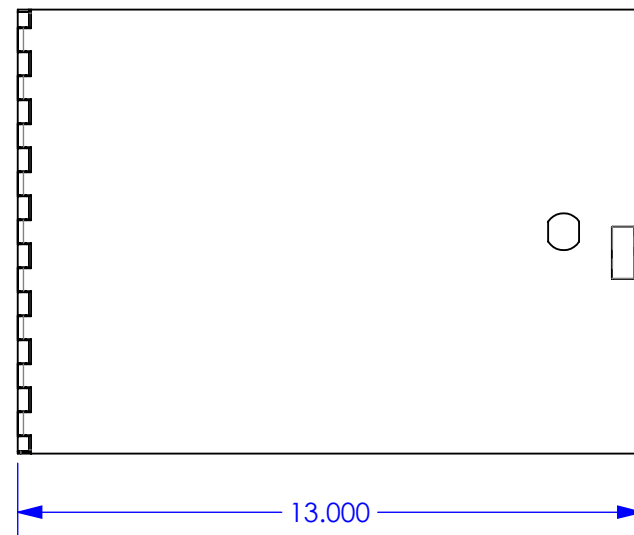
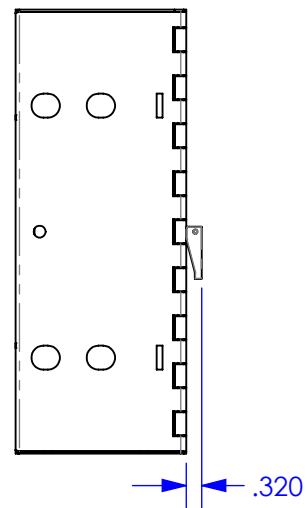
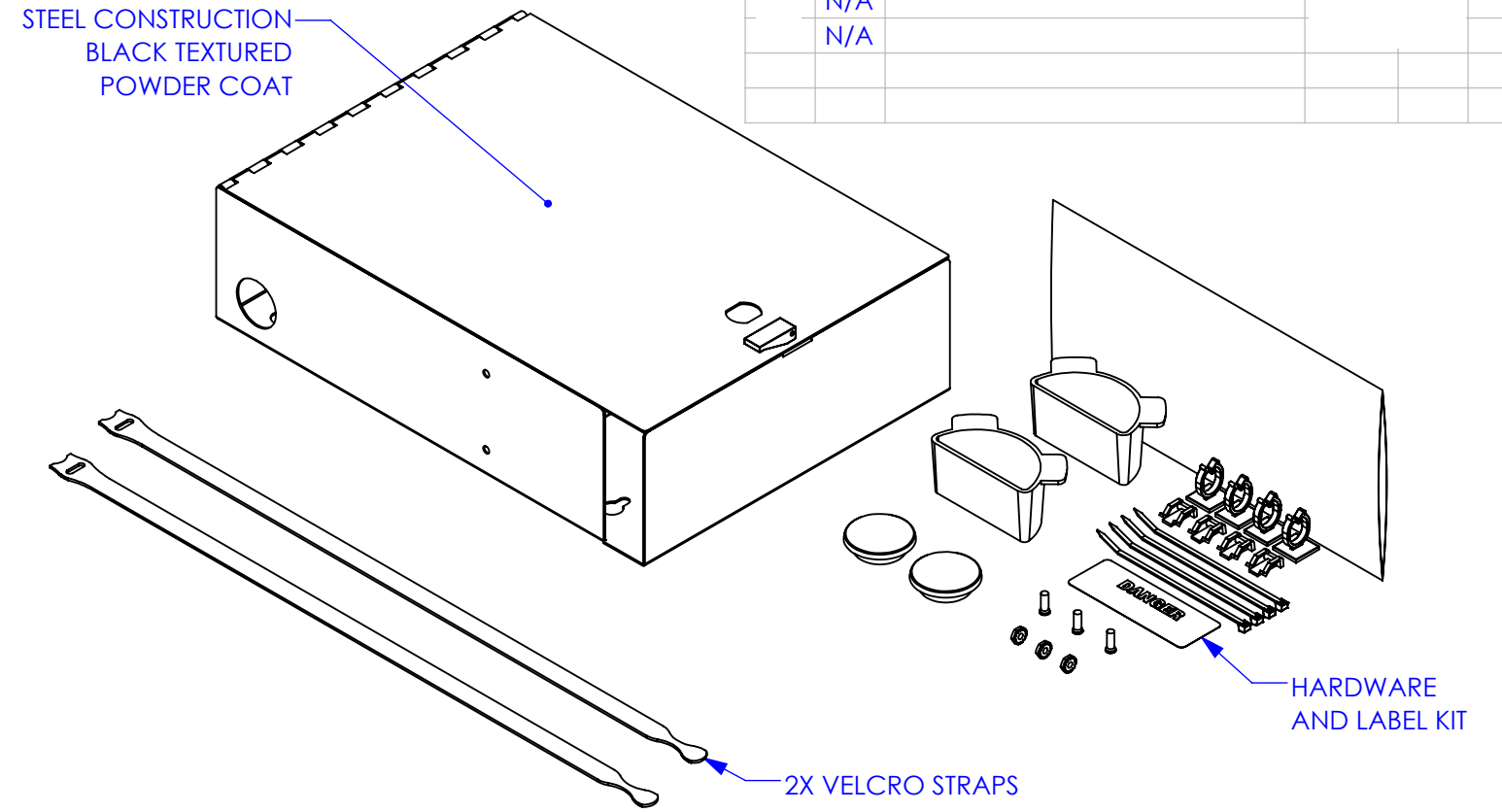
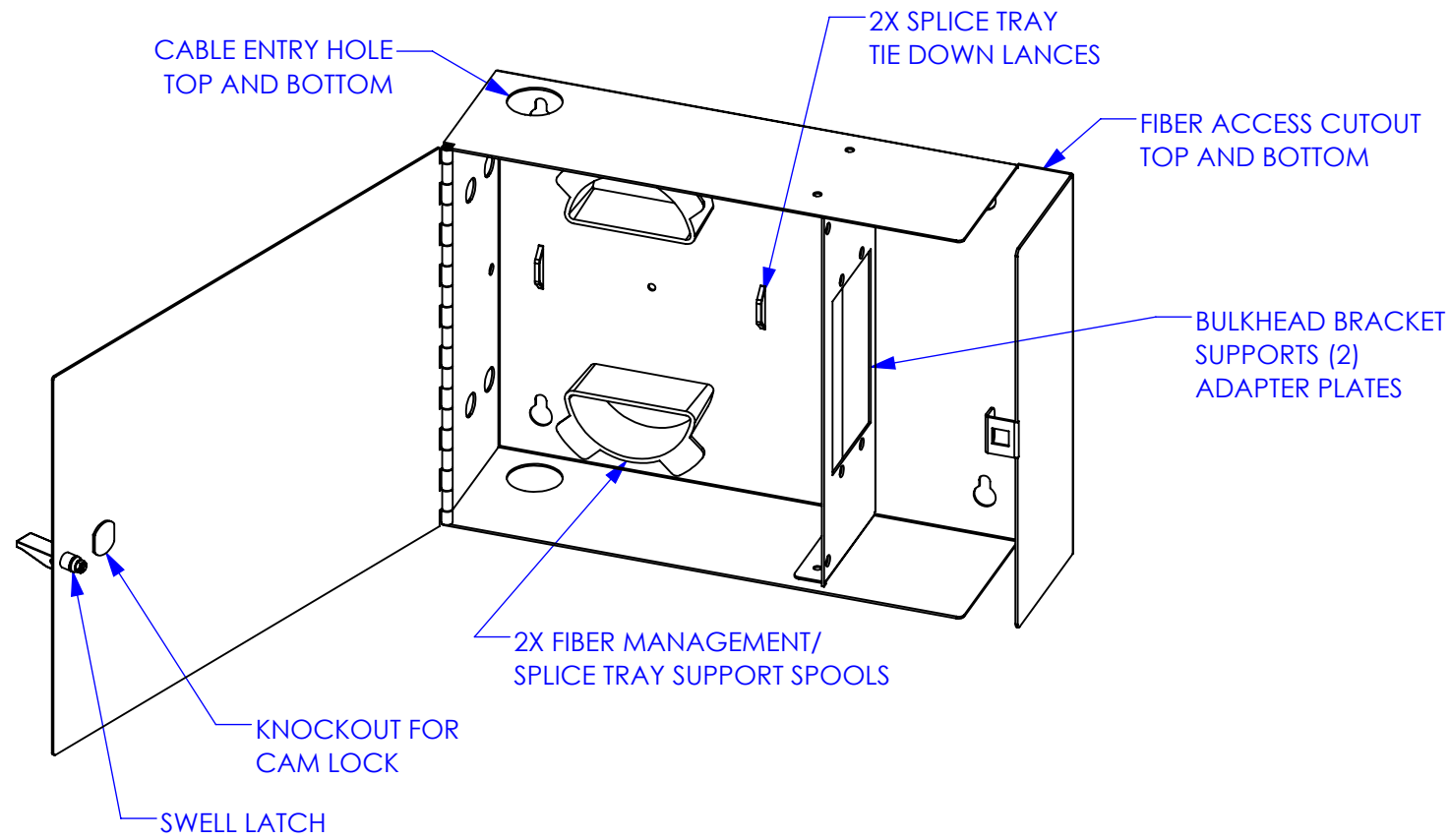


REV.	ECN #	DESCRIPTION OF CHANGE	DATE	BY	MFG ENG
	N/A				
	N/A				



UNLESS OTHERWISE SPECIFIED DIMENSIONS ARE IN INCHES TOLERANCES ARE:

FRACTIONS:	DECIMALS:	ANGLES:
± 1/32	.XX = ±.03 .XXX = ±.010	± 1°

ALL FLATS TO BE ±.005

NO SHARP EDGES OR BURRS ALLOWED

MATERIAL: SEE B.O.M.
FINISH: BLACK TEXTURED

DO NOT SCALE DRAWING

12PWFMP

DRAWN BY:	DATE:
CHECKED:	DATE:
MFG ENG:	DATE:
QUALITY ENG:	DATE:

